

***HIKVISION***<sup>®</sup>

**REAL SECURITY,  
REALLY CONVENIENT**

SECOND GENERATION  
IP VIDEO INTERCOM SYSTEM



[www.lobeco.nl](http://www.lobeco.nl) | [www.lobeco.be](http://www.lobeco.be)

# WITH HIKVISION AS YOUR PARTNER, YOU WILL STAND ON A SOLID FOUNDATION.

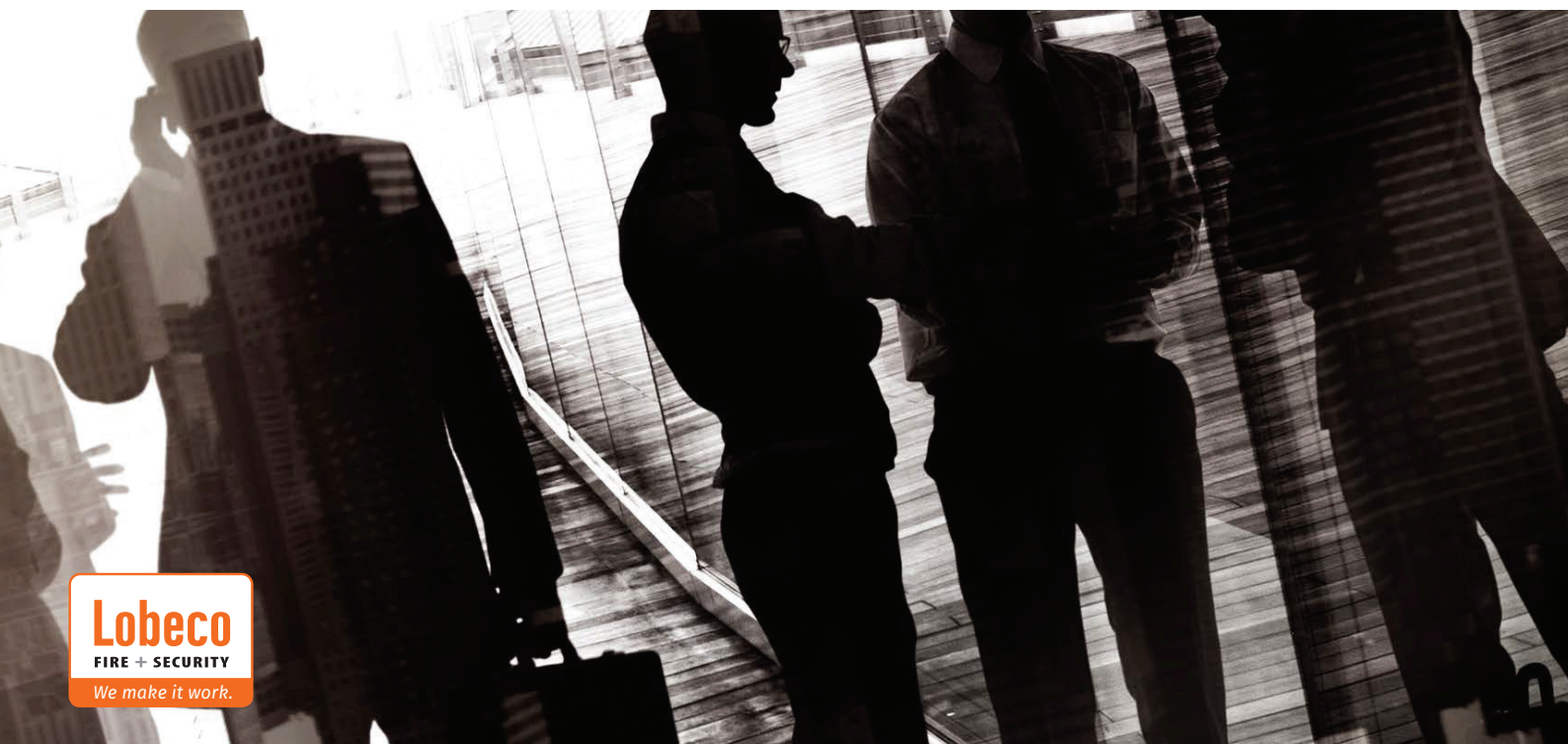
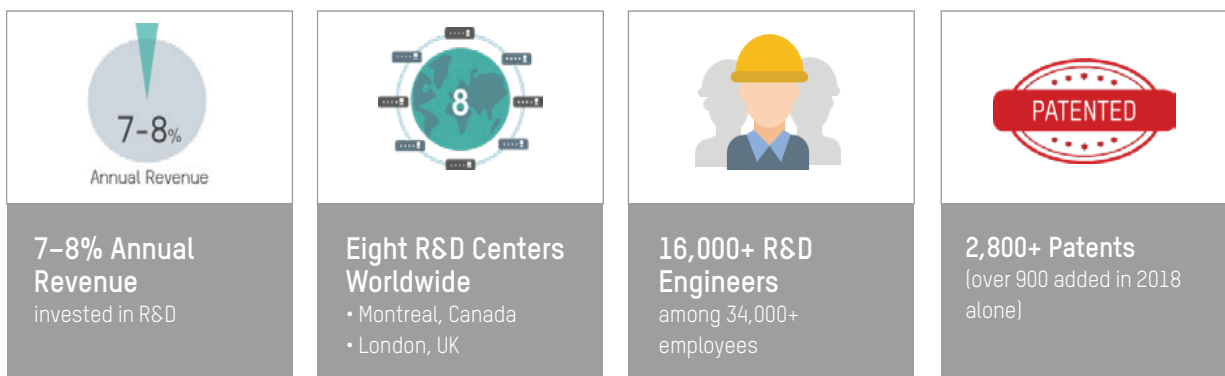
Hikvision is a world leading provider of security products and solutions. Featuring an extensive and highly skilled R&D workforce, Hikvision manufactures a full suite of comprehensive products and solutions for a broad range of vertical markets. In addition to the security industry, Hikvision extends its reach to smart home tech, industrial automation, and automotive electronics industries to achieve its long-term vision. Hikvision products also provide powerful business intelligence for end users, which can enable more efficient operations and greater commercial success. The outstanding capabilities and performance of Hikvision in the security and video surveillance industries have been recognized by leading analyst firms and global awards.



From the early digital age to today's intelligence era, we have seized every opportunity to advance the industry with our innovative technologies.

Hikvision's core technologies include: visual perception, cloud storage, big data, cross-media perception and reasoning, video codec, streaming media networking and management, audio and video data storage, embedded systems development.

As the pioneer in AI technology, Hikvision established an algorithm team for AI technology research in 2006. During this decade, Hikvision first launched deep learning-based servers then expand to a comprehensive range of AI products in 2016. Based on the continually researches and practices, Hikvision developed the AI Cloud structure and ranked No.1 in various global Artificial Intelligence contests.



# HIGHLIGHTS

OF THE IP VIDEO INTERCOM SYSTEM

## IP Video Intercom

---

### Excellent Image Quality

- Fisheye camera, 2 MP, WDR, Night Vision

### Easy Controls & Multiple Applications

- Mobile control / Access control / Elevator control / Dual lock control
- Public password / Duress password / Message / Do not disturb / Custom ringtone / More

### Flexible Combinations

- Expansion-ready with various modules
- Multiple installation frames

### Elegant Utilitarian Design

- Artistic industrial design
- Reddot Award winner (indoor station)
- Designed for accessibility

### CCTV Integration

- All-in-one client management
- Video recording to DVRs / NVRs
- IP camera monitoring

## 2-Wire Video Intercom

---

### Excellent Image Quality

- Fisheye camera, 2 MP, WDR, Night Vision

### Easy Controls & Multiple Applications

- Mobile control / Access control / Dual lock control
- Public password / Duress password / Message / Do not disturb / Custom ringtone

### Easy Installation

- Can work with existing wiring
- Long-distance transmission

### User Friendly Design

- Touch screen, call-log status, image capture
- Expansion-ready with various modules

### CCTV Integration

- All-in-one client management
- Video recording to DVRs / NVRs
- IP camera monitoring





# MODULAR DOOR STATION

Hikvision's modular intercom products excel at convenient installation and flexible expansion capabilities. The complete package features a main module with several extension modules ranging from the traditional nametag and keypad module to card readers and display modules, providing an abundance of functionality to customers.



Standard PoE  
(IP Version)



2 MP Camera with 180° Wide  
Angle and WDR



Driveway and Door Access  
Control



2-wire Version



Backlight function



Bigger Nametag



Sleek Designs



Extensive Modularity

# INDOOR STATION

These indoor stations received great comments for their clean and simple designs and for an excellent interactive experience. The 7-inch Ultra Series Indoor Station won the Reddot Award in 2017. The indoor stations support standard PoE (IP Version), 2-wire technology, and wall-mounted installation. The wireless connectivity makes installation and configuration quick and easy.



Ultra Series Indoor Station  
7-inch  
[IP Version]



Pro Series Indoor Station  
7-inch  
[IP Version]



Ultra Series Indoor Station  
10-inch  
[IP Version]



Pro Series Indoor Station  
7-inch  
[2-wire Version]



2-wire Version



Standard PoE  
[IP Version]



Link with Alarm Sensors



32 GB SD Card



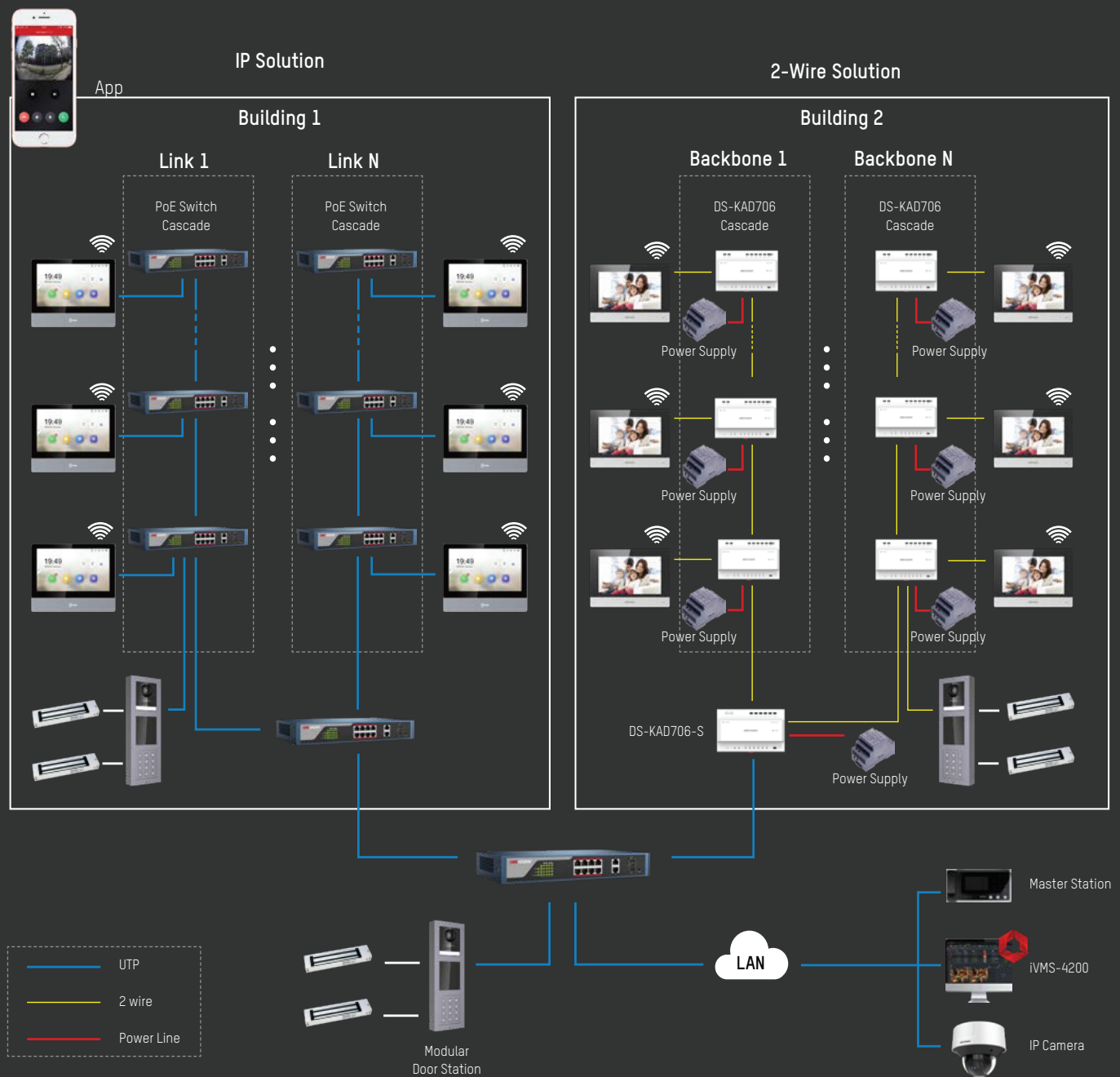
User-friendly Interface



Touch Screen  
with 1024 \* 600 Resolution

# APARTMENT SOLUTION

Hikvision offers apartment solutions based on different technologies for various needs. For new apartments, IP solution based on standard PoE design is simple and convenient. For older buildings that lack proper network infrastructure, the 2-wire solution enables the re-usage of existing wiring. Multiple door stations can be installed for one building and residents can unlock them using card or password. Integration with an elevator control system makes the entire system even more secure. Hikvision's IP Video Intercom Apartment Solution is a top choice for intercom and security system in buildings.

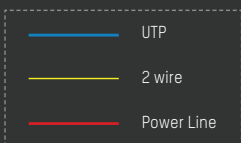
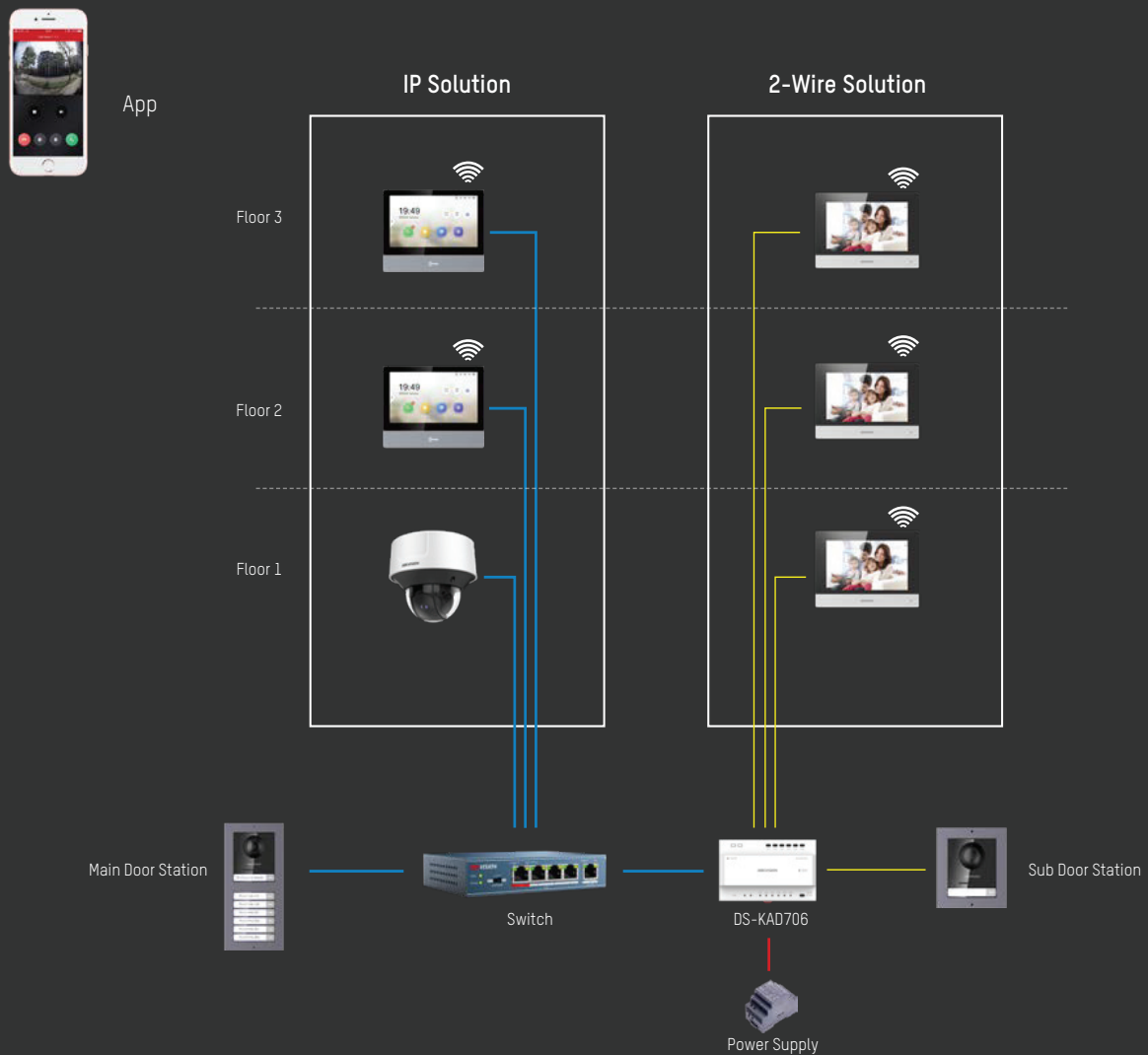




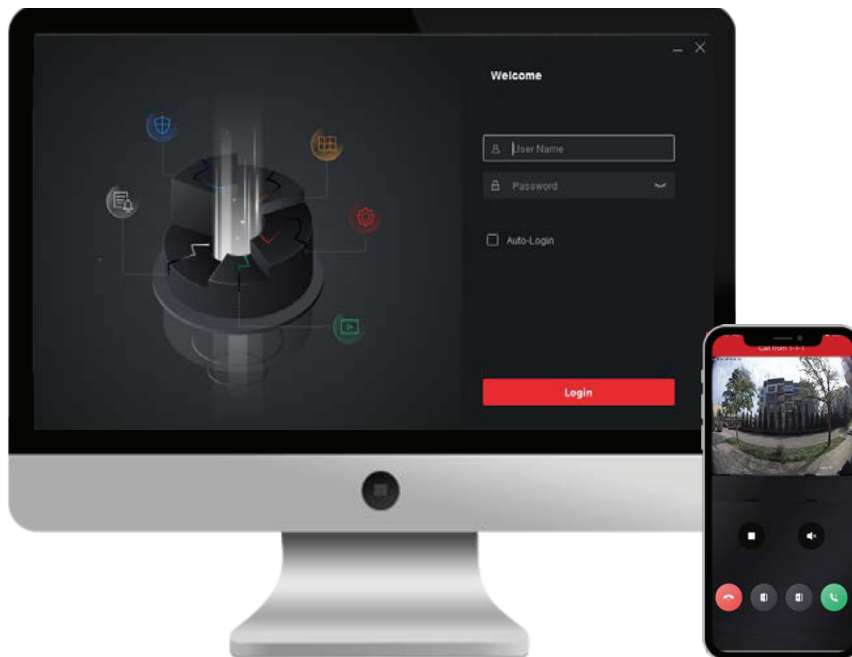
# VILLA SOLUTION

The villa solution provides thoughtful, useful functions for every member of the home. Users can call multiple indoor stations at the same time and unlock a door at any of the indoor stations. They can also receive all call information and unlock doors remotely and conveniently using the app on a mobile device.

The fisheye camera on the door station renders images clearly both day and night. With the record-to-NVR function, users can check on what's happening at their doorstep. To make this system even better, integrate it with Hikvision's CCTV system, allowing indoor stations to display any IP camera installed around your house. Security and convenience come together in this IP Video Intercom Villa Solution.



# EASY MANAGEMENT



## Mobile Application



### Hik-Connect

#### Key Benefits

- Control your door remotely with use of the HikConnect mobile app
- Check and play back video of visitors while away
- Manage all your house security solutions with one free service app
- Maintain and adjust basic functions using the mobile app
- Share the account with family members

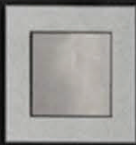
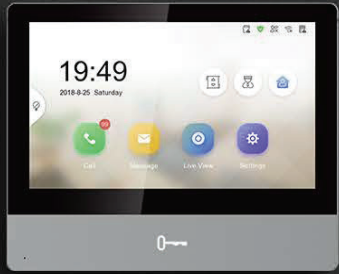
## Central Management Software



### iVMS-4200

#### Key Benefits

- Free Hikvision application manages all devices
- Modular system to select application features you need
- Available modules for Video Surveillance, Intercom, Access Control, and Intrusion Detection
- Alarm notifications module for instant monitoring
- Community notifications to keep the tenants informed
- Single database manages all access control devices



# PRODUCT SHOWCASE

## IP Video Intercom



### DS-KD8003-IME1

Main Unit

- 2 MP HD Colorful Camera
- Fisheye (Horizontal: 180°, Vertical:96°)
- IR Supplement
- IP65
- 12V DC or Standard PoE



### DS-KH6320-TE1

Pro Series Indoor Station

- 7-inch Colorful TFT LCD
- Display resolution: 1024 x 600
- 10 / 100 Mbps Ethernet
- Standard PoE (IEEE802.3af) / 12V DC
- TF card, max 32GB
- 8-ch alarm input



### DS-KH6320-WTE1

Pro Series Indoor Station

- 7-inch Colorful TFT LCD
- Display resolution: 1024 x 600
- 10 / 100 Mbps Ethernet, Wi-Fi 802.11b/g/n
- Standard PoE (IEEE802.3af) / 12V DC
- TF card, max 32GB
- 8-ch alarm input, 2 x alarm relays, 1 x RS-485



### DS-KH8350-TE1

Ultra Series Indoor Station

- 7-inch Colorful TFT LCD
- Display resolution: 1024 x 600
- 10 / 100 Mbps Ethernet
- Standard PoE (IEEE802.3af) / 12V DC
- TF card, max 32GB
- 8-ch alarm input



### DS-KH8350-WTE1

Ultra Series Indoor Station

- 7-inch Colorful TFT LCD
- Display resolution: 1024 x 600
- 10 / 100 Mbps Ethernet, Wi-Fi 802.11b/g/n
- Standard PoE (IEEE802.3af) / 12V DC
- TF card, max 32GB
- 8-ch alarm input, 2 x alarm output, 1 x RS-485



### DS-KH8520-WTE1

Ultra Series Indoor Station

- 10-inch Colorful TFT LCD
- Display resolution: 1024 x 600
- 10 / 100 Mbps Ethernet, Wi-Fi 802.11b/g/n
- Standard PoE (IEEE802.3af) / 12V DC
- TF card, max 32GB
- 8-ch alarm input, 2 x alarm relays, 1 x RS-485

## 2-Wire Video Intercom



### DS-KD8003-IME2

Main Unit

- 2MP HD Colorful Camera,
- Fish eye (Horizontal: 180°, Vertical:96° ),
- IR Supplement ,
- Module connection with RS-485 ,
- 4-ch alarm input
- IP65, Two -wire interface



### DS-KH6320-WTE2

Pro Series Indoor Station

- 7-inch Colorful TFT LCD
- High display resolution: 1024 \* 600
- Wi-Fi Connection
- Two -wire interface
- TF card, max 32G
- 8-ch alarm input, 2xalarm output



### DS-KAD706

Distributor

- 6 Two-Wire Interface for connection and power supply
- Support up to 15 level cascading
- Din rail mounting, 24VDC



### DS-KAD706-S

Aggregation Distributor

- 6 Two-Wire Interface for connection
- Din rail mounting, 24VDC



### DS-KAW60-2N

Power Adapter

- Power supply for DS-KAD706 & DS-KAD706-S
- Output: 24 VDC, 60W
- Din rail mounting

## Extension Module



**DS-KD-KP**  
Keypad Module

- IP65
- Backlight function
- Blind spot design



**DS-KD-BK**  
Blank Module

- IP65



**DS-KD-M**  
MIFARE 1 Card Reader Module

- 13.56 MHz
- IP65
- Backlight function



**DS-KD-KK**  
Nametag Module

- With 6 call buttons
- IP65
- Backlight function



**DS-KD-DIS**  
Display Module

- 3.5-inch LCD
- IP65
- Backlight function



**DS-KD-IN**  
Indicator Module

- IP65
- Backlight function

## Installation Frame



**DS-KD-ACW1**  
Single Module Accessories

- Used for surface mounting
- Aviation aluminum



**DS-KD-ACW2**  
Dual Modules Accessories

- Used for surface mounting
- Aviation aluminum



**DS-KD-ACW3**  
Three Modules Accessories

- Used for surface mounting
- Aviation aluminum



**DS-KD-ACF1/Plastic**  
Single Module Accessories

- Used for flush mounting
- Aviation aluminum



**DS-KD-ACF2/Plastic**  
Dual Modules Accessories

- Used for flush mounting
- Aviation aluminum



**DS-KD-ACF3/Plastic**  
Three Modules Accessories

- Used for flush mounting
- Aviation aluminum

# TRANSMISSION DISTANCE

**When Modular Door Station and Indoor Stations are powered by a standalone power supply, the power line cable distance is:**

Cable specification	18 AWG	20 AWG	24 AWG
<b>DS-KH8350 series</b>	50 m	30 m	15 m
<b>DS-KH8520WTE1 series</b>	50 m	30 m	15 m
<b>DS-KH6320 series</b>	50 m	30 m	15 m
<b>1 main unit + 7 extension modules</b>	35 m	25 m	8 m

\*Note: The data transmission distance between Modular Door Station and switch, as well as between Indoor Stations, is 100 m. This result is for reference only, actual distance may vary.

**When Modular Door Station and Indoor Station are powered by standard PoE switch, the transmission distance is:**

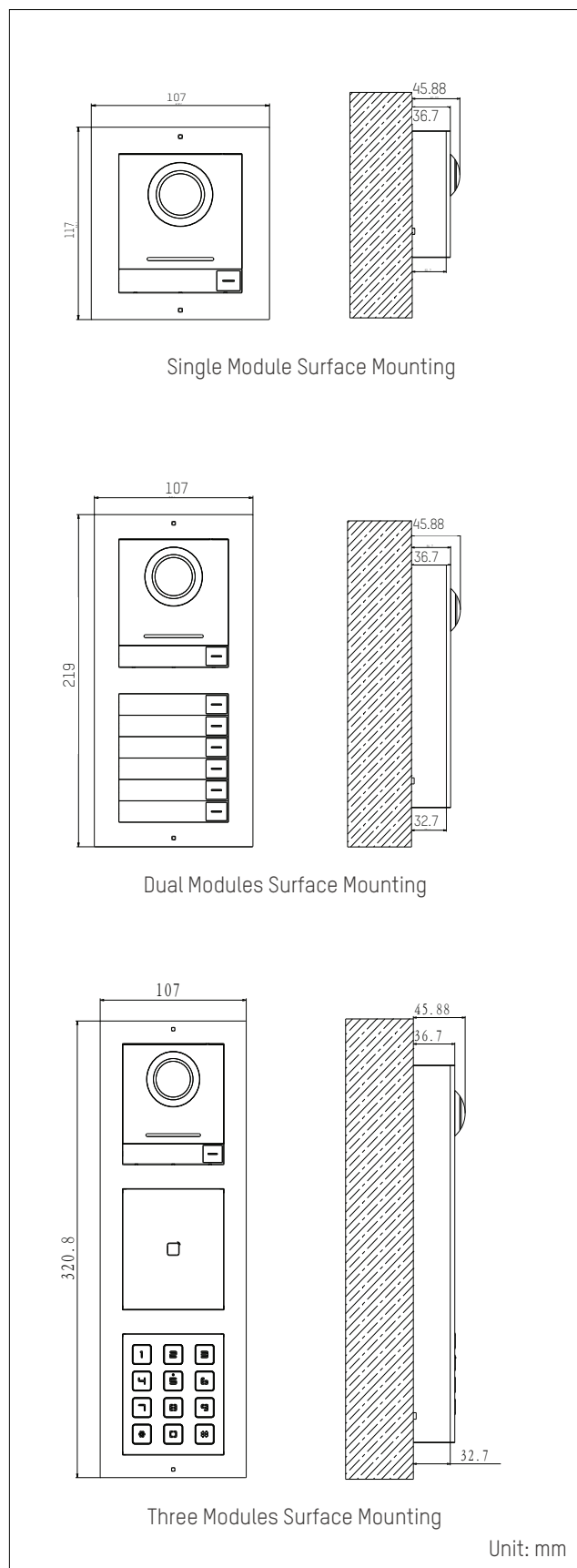
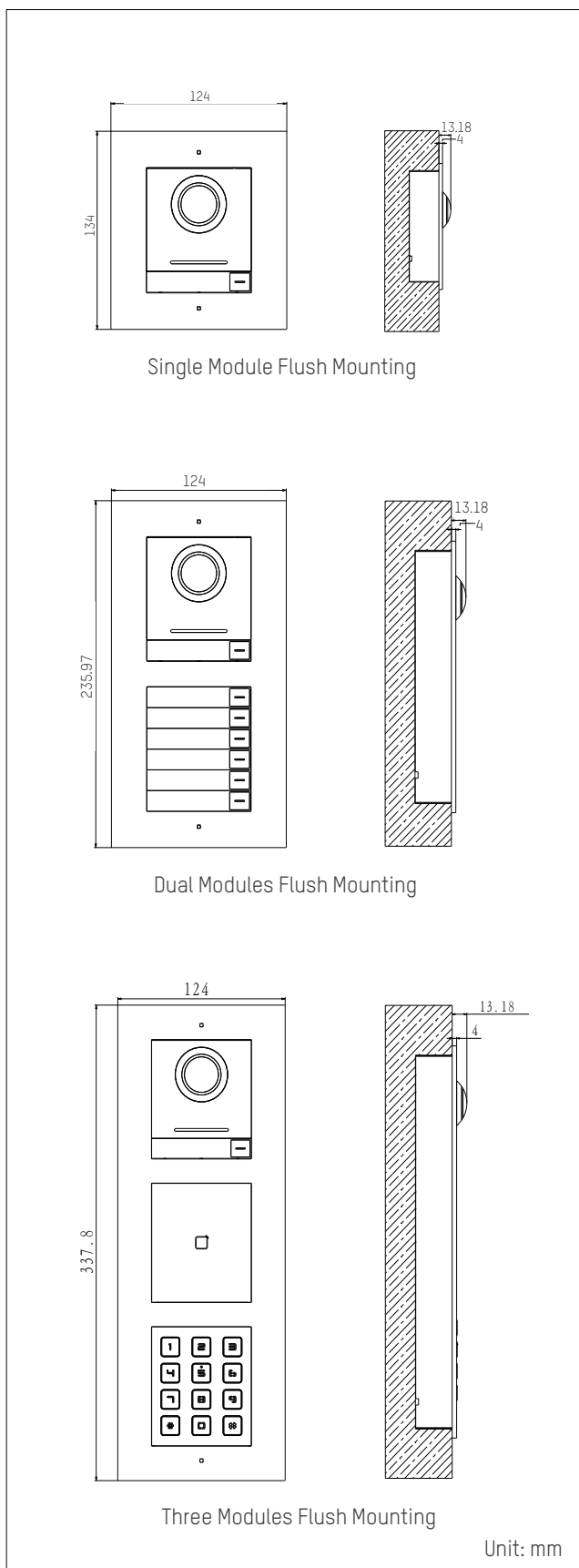
Cable specification	1LN5EU-G/CCA	1LN5E-S	1LN6-UU
<b>DS-KH8350 series</b>	100 m	100 m	100 m
<b>DS-KH8520WTE1 series</b>	100 m	100 m	100 m
<b>DS-KH6320 series</b>	100 m	100 m	100 m
<b>1 main unit + 7 extension modules</b>	60 m	80 m	100 m

\*Note: The above data are obtained by tests using Hikvision Cable and under the situation of one Door Station and one Indoor Station. This result is for reference only, actual distance may vary.

## Long Transmission Distance

Cable specification	24 AWG (0.2 mm <sup>2</sup> , 9 Ω/100 m) Twisted pair	20 AWG (0.5 mm <sup>2</sup> , 3.5 Ω/100 m) Twisted pair	18 AWG (0.8 mm <sup>2</sup> , 2.5 Ω/100 m) Twisted pair	16 AWG (1 mm <sup>2</sup> , 1.5 Ω/100 m) Twisted pair	24 AWG (0.2 mm <sup>2</sup> , 9 Ω/100 m) Parallel lines	20 AWG (0.5 mm <sup>2</sup> , 3.5 Ω/100 m) Parallel lines	18 AWG (0.8 mm <sup>2</sup> , 2.5 Ω/100 m) Parallel lines	16 AWG (1 mm <sup>2</sup> , 1.5 Ω/100 m) Parallel lines
<b>DS-KAD706-S to DS-KAD706</b>	≤60 m	≤60 m	≤60 m	≤50 m	N/A	≤35 m		N/A
<b>DS-KAD706 to DS-KAD706</b>	≤60 m	≤60 m	≤60 m	≤50 m	N/A	≤35 m		N/A
<b>DS-KAD706 to DS-KD8003-IME2</b>	≤35 m	≤60 m	≤60 m	≤50 m	N/A	≤35 m		N/A
<b>DS-KAD706 to DS-KH6320-WTE2</b>	≤35 m	≤100 m	≤100 m	≤100 m	≤50 m	≤100 m	≤100 m	≤100 m

# DIMENSIONAL REFERENCE FOR INSTALLATION





**HIKVISION®**


**REAL SECURITY,  
REALLY CONVENIENT**

SECOND GENERATION  
IP VIDEO INTERCOM SYSTEM

**Lobeco**  
FIRE + SECURITY

*We make it work.*

 Taco Scheltemastraat 5 | 2597 CP Den Haag | Tel.: +31 (0)70 - 314 314 3 | [info@lobeco.nl](mailto:info@lobeco.nl) | [www.lobeco.nl](http://www.lobeco.nl)

 Vliegveld 37 | 8560 Wevelgem | Tel.: +32 (0)56 78 20 20 | [info@lobeco.be](mailto:info@lobeco.be) | [www.lobeco.be](http://www.lobeco.be)